

Linear Actuators

Linear Actuators

Options:

- Adjustable Cam
- Feedback
- Cord set output
- Dust Cover

Applications:

- Treadmills
- Adjustable Work Stations
- Adjustable TV Stands

Model: JS15	
Input Voltage	110 or 220 VAC 50/60 Hertz
Load Capacity Thrust	600 Pounds(2650 Newtons)
Travel Speed Inch per second/mm per sec.	0.15 to 0.35 inch per sec.(3.9 to 9.0mm)
Operating Temperature	60 to 80 °C
Duty Cycle	1 Minute on 8 Minutes Off
Thermal Protector Rating	120°C+/-5°
Stroke	Customer Defines
Capacitor	Electrolytic,Internal Mounting
Feedback,Potentiometer,Optical	Optional,Internal Mounting

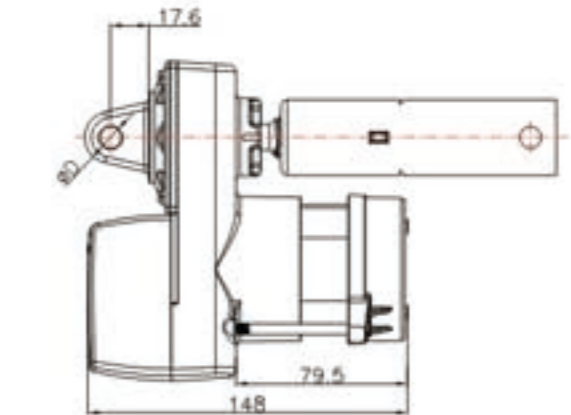
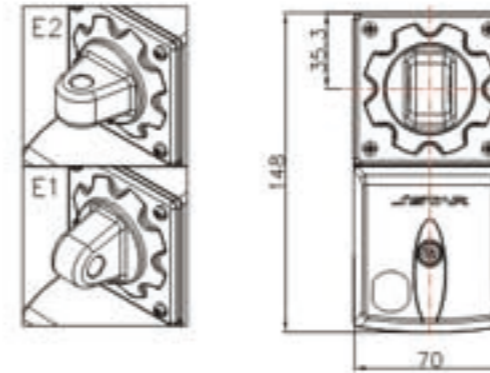
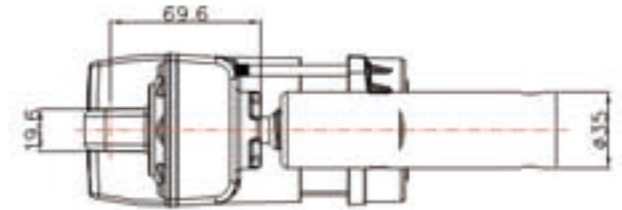
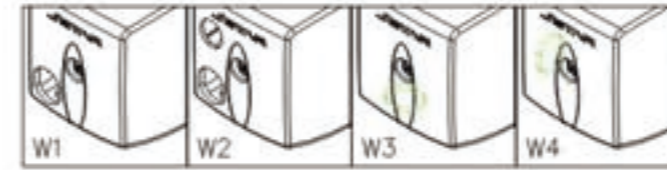


Features:

- Permanent Split Capacitor Quiet Drive Motor
- Needle Type Heavy Duty Thrust Bearings
- Precision Ball Bearings
- Class 2G Acme Shaft
- Internal Limit Switches
- Adjustable Cam
- Rugged Aluminum Castings
- Fibre-Reinforced Plastic Gears For Added Strength & Quietness



This compact size linear actuator can handle thrust loads up to 710 pounds. It is perfect for an application that requires large thrust loads with minimal travel speeds. It is currently used on light duty home treadmills & fitness equipment, office equipment and adjustable work stations.



Model Js15 Total Ratio(Gear Ratio/Screw Leads) Reference

Input Motor	Gear Ratio	39:1			
		6		8	
		60	50	60	50
4 pole 30mm	Full load Speed in-min(mm-min)	7(180)	6(152)	5(134)	4(114)
	Full load thrust pounds(Newtons)	490(2180)	520(2313)	660(2936)	710(3158)
	Starting thrust pounds(Newtons)	570(2535)	610(2713)	770(3425)	830(3692)
4 pole 20mm	Full load Speed in-min(mm-min)	7(180)	6(152)	5(134)	4(114)
	Full load thrust pounds(Newtons)	360(1600)	380(1690)	480(2135)	510(2270)
	Starting thrust pounds(Newtons)	410(1824)	440(1957)	560(2490)	600(2670)

JS15 - XXX - X - XX - XXX - XX - XX - XX - XX

Model	Volts	Thread	Stack	Stroke	Sensor	Trunnion	Wire	Hole dia
	110	6	20	50 to	LS-Limit	E1	W1	9.6mm 3/8"
	220	8	30	300 mm	Switch	E2	W2	8mm
					1K-Pot		W3	10mm
					10K-Pot		W4	
					LP-Limit &Pot			